



### V7-1V19E9-048



*Actual product appearance may vary.*

**V7 Series Miniature Basic Switch, Single Pole Double Throw Circuitry, 21 A at 277 Vac, Straight Lever Actuator, 0,54 N [1.9 oz] Maximum Operating Force, Silver Contacts, Quick Connect Termination**

#### V7 Series Features

- World-wide package size acceptance
- Current rating ranges from 0.1 A to 25 A
- Wiping contact action
- Temperature range to 177 °C [350 ° F]
- Long mechanical life
- Elongated mounting holes for easier, more accurate mounting
- UL/CSA recognized, ENEC (European) approval available
- Choice of actuation, termination and operating characteristics

#### Potential Applications

- Appliances
- Vending machines
- Timing devices
- Office equipment
- Computer/business equipment
- Test instruments
- Medical/dental equipment
- Communications equipment
- HVAC equipment
- Manually operated devices
- Valves
- Gaming equipment
- Pressure switches

#### Description

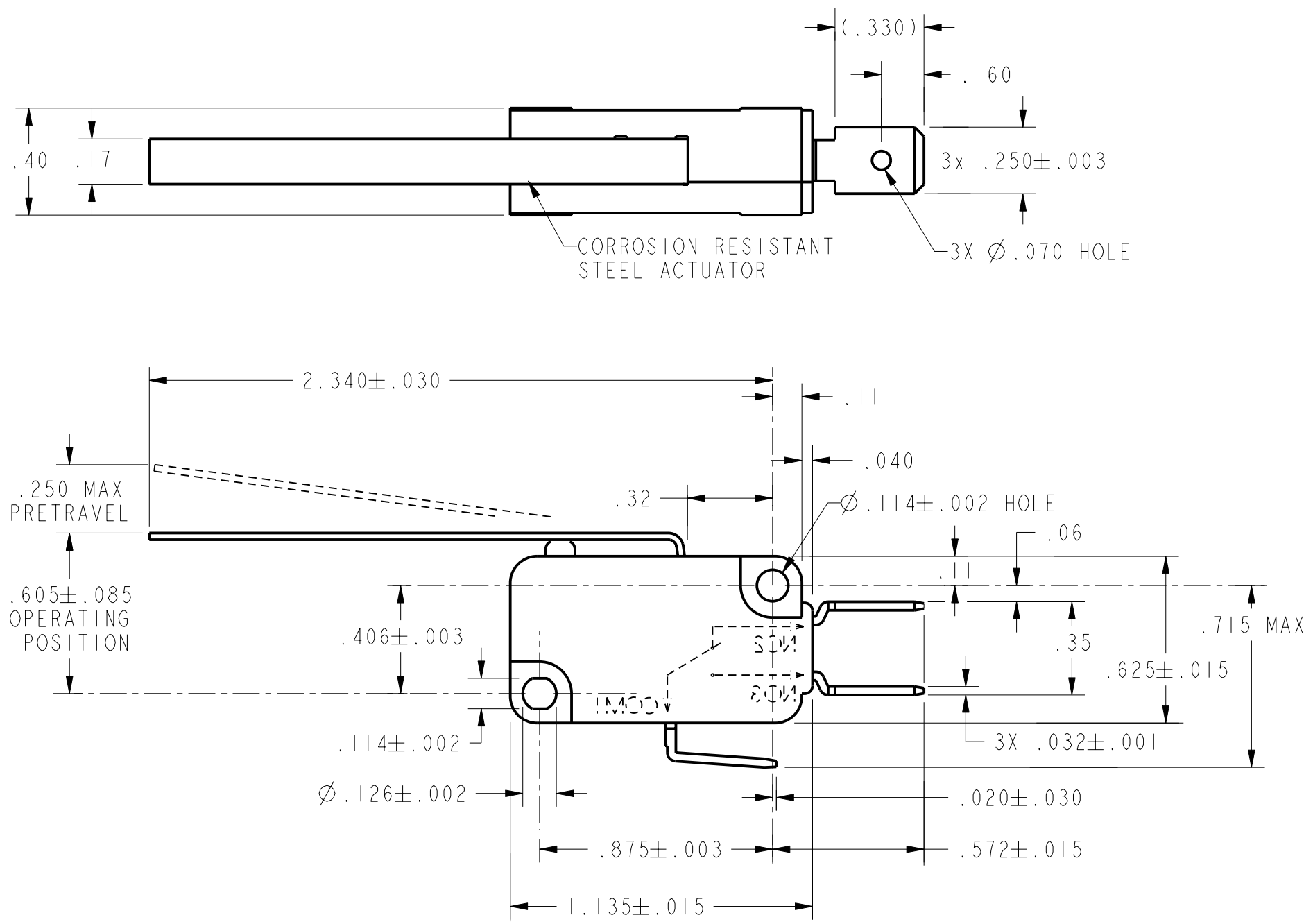
MICRO SWITCH™ V5 and V7 Series basic switches are used for simple or precision on/off, end of limit, presence/absence, pressure, temperature and manual operator interface application needs.

Product Specifications	
Switch Type	MICRO SWITCH™ Miniature 15,9 mm H x 10,2 mm W x 28,8 mm L [0.63 in H x 0.4 in W x 1.14 in L]
Sealed	No
Ampere Rating	21 A
Circuitry	Single Pole Double Throw (SPDT)
Actuator	Straight Lever
Termination	Quick Connect
Operating Temperature Range	-40 °C to 82 °C [-40 °F to 180 °F]
Voltage	277 Vac
Approvals	CSA,UL,ENEC
Actuator Length	59,4 mm [2.34 in]
Contact Type	Silver Cadmium Oxide



Operating Force (O.F.)	0,54 N [1.9 oz] max.
Release Force (R.F.)	0,03 N [0.1 oz] min.
Pretravel (P.T.)	6,35 mm [0.250 in] max.
Overtravel (O.T.)	3,05 mm [0.120 in] min.
Differential Travel (D.T.)	1,40 mm [0.055] max.
Operating Position (O.P.)	15,4 ± 2,159 mm [0.605 ± 0.085 in]
Housing Material	PCT PolyesterThermoplastic
High Temperature	85 °C [185 °F]
CE mark	61058-1
UL File #	E12252
CSA File #	LR41370
Agency Approvals and Standards	1054
Mounting Centers	22,2 mm [0.88 in]
Maximum Tightening Torque	0,56 N m [5.0 in lb]
Weight	8 g [0.3 oz]
Package Height	16 mm [0.63 in]
Package Width	10,2 mm [0.40 in]
Package Length	27,7 mm [1.09 in]
Availability	Global
UNSPSC Code	30211905
UNSPSC Commodity	30211905 Snap switches
Series Name	V7

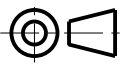
CW-B9035

REV	DOCUMENT	CHANGED BY	CHECK
6	202161	TSM 19JAN01	SAV
7	207439	TSM 13FEB03	SAV



CHARACTERISTICS	
OPERATING FORCE-----	55 GRAMS MAX
RELEASE FORCE -----	3 GRAMS MIN
DIFFERENTIAL TRAVEL -----	.055 MAX
OVERTRAVEL -----	.120 MIN
RELEASE TRAVEL -----	.030 MIN

ELECTRICAL DATA	
CONTACT ARRANGEMENT S P D T	
21A 1HP 125, 250, 277 VAC 2HP 250, 277 VAC	
 	

UNLESS OTHERWISE SPECIFIED TOLERANCES ARE:			
	<input checked="" type="checkbox"/> US (inch) CUSTOMARY	<input type="checkbox"/> SI (mm) METRIC	
NO PLACE	X	±.040	±1
ONE PLACE	.X	±.030	±0,4
TWO PLACE	.XX	±.015	±0,15
THREE PLACE	.XXX	±.005	±
ANGLES		±	±
RAW MATERIAL-COMMERCIAL STANDARD			
THIRD ANGLE PROJECTION			
			

DRAWN	TSM	19JAN01
CHECK	SAV	19JAN01
THIS DRAWING COVERS A PROPRIETARY ITEM AND IS THE PROPERTY OF HONEYWELL. THIS DRAWING IS NOT TO BE COPIED OR USED WITHOUT THE PERMISSION OF HONEYWELL.		
DIMENSIONS ARE TO BE MET BEFORE PROTECTIVE COATINGS ARE APPLIED		
PTC 2D	ASME Y14.5M-1994	

<b>Honeywell</b>			
TITLE <b>SWITCH, BASIC</b>			
SIZE	DWG TYPE	DRAWING NAME	REV
<b>B</b>	<b>I</b>	<b>V7-1V19E9-048</b>	<b>7</b>
SCALE 2 : 1		WEIGHT	SHEET 1 OF 1